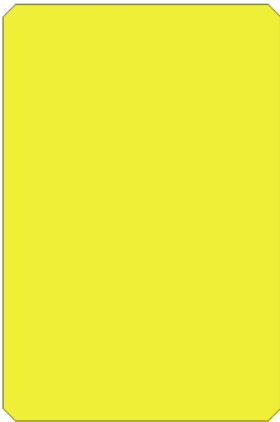
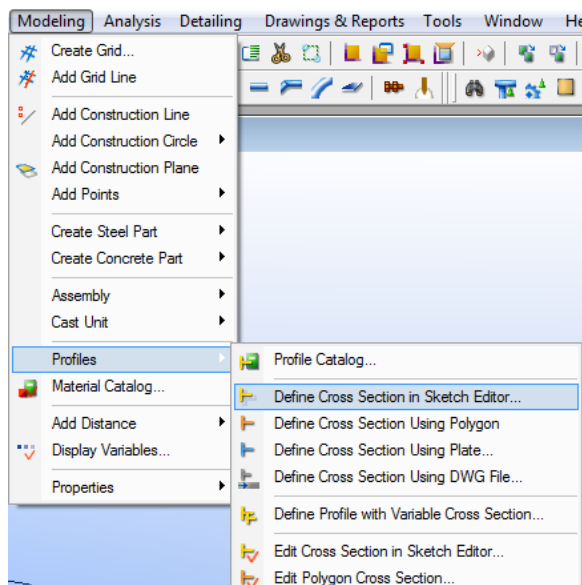


Sketching Example 1 – Part 1 – Sketching the Profile

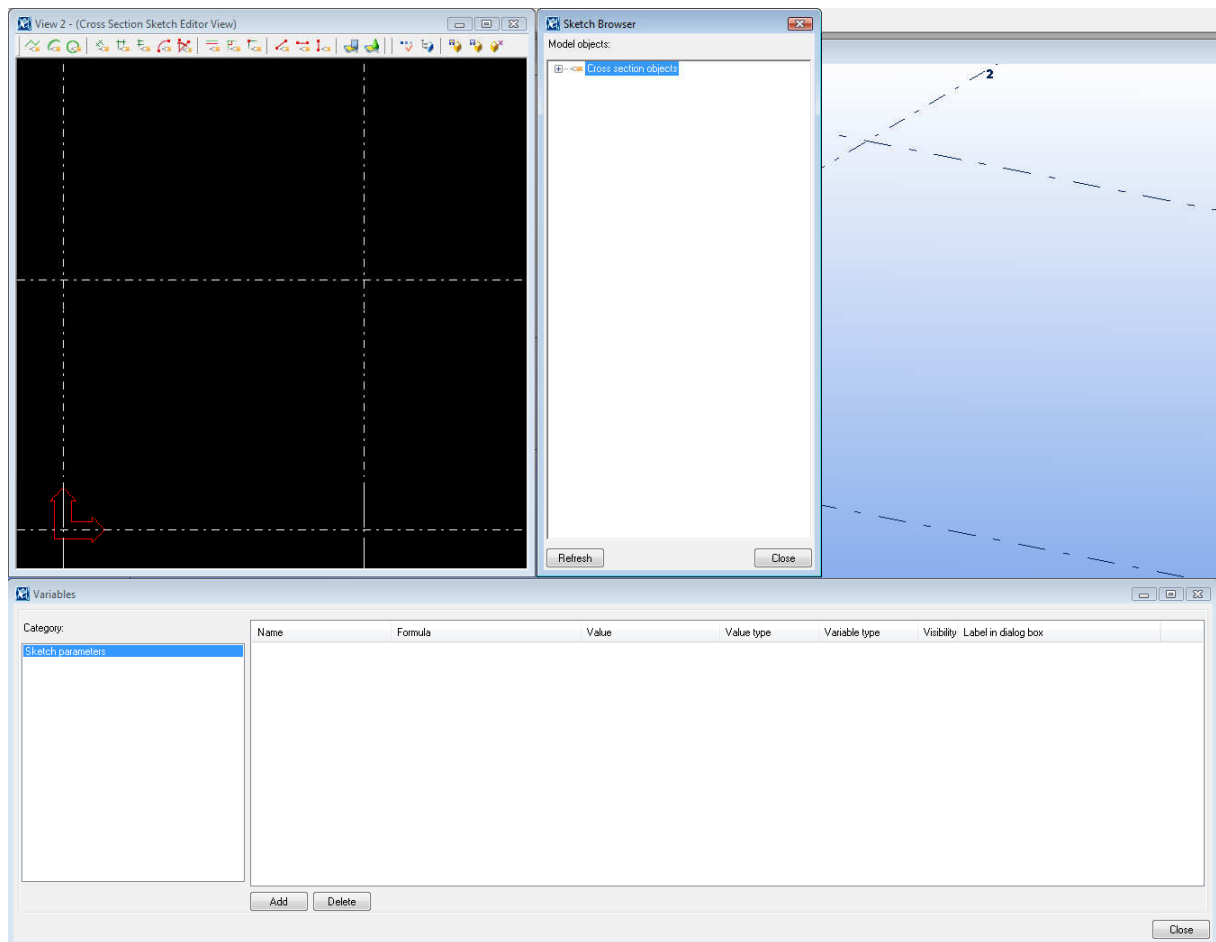
In this example we will make a simple rectangular profile with chamfered corners

Profile	Information
	The profile will have chamfers on the corners and be fully parametric

From the “Modeling” menu select “Profiles”, “Define Cross Section in Sketch Editor”



This will open the Sketch Editor



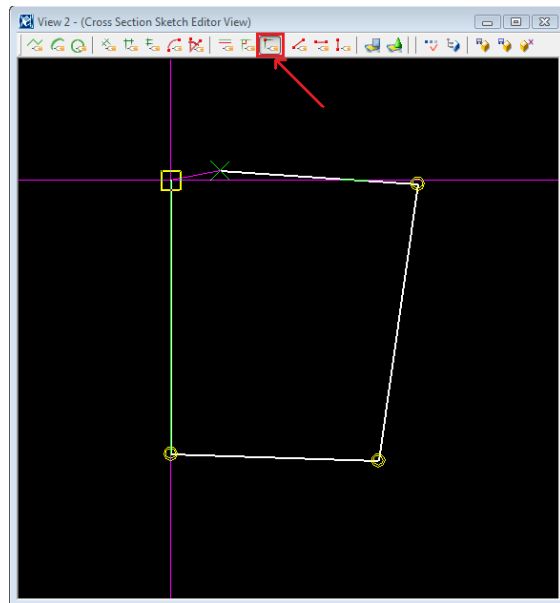
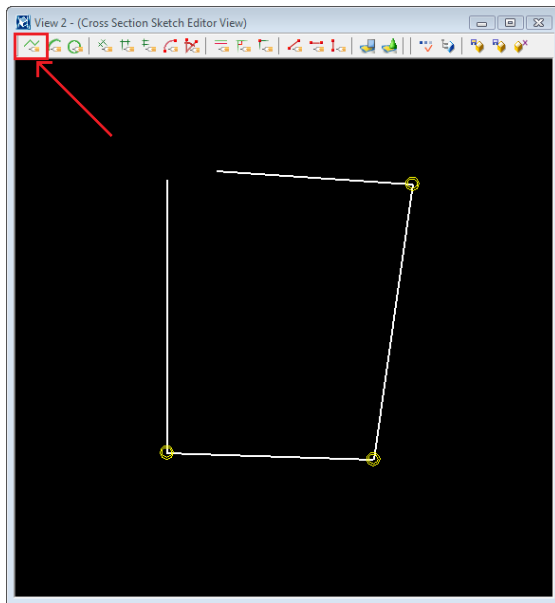
The Sketch Editor automatically opens 3 windows.

- The main sketch window
- The Sketch Browser
- The Variables Table

See the Tekla online help for more explanations of these windows

Do you want
to add a
constraint tool

“Add
Constraint”.
Select one



parallel to the

“Add
Constraint” and
then select the
tools like below

